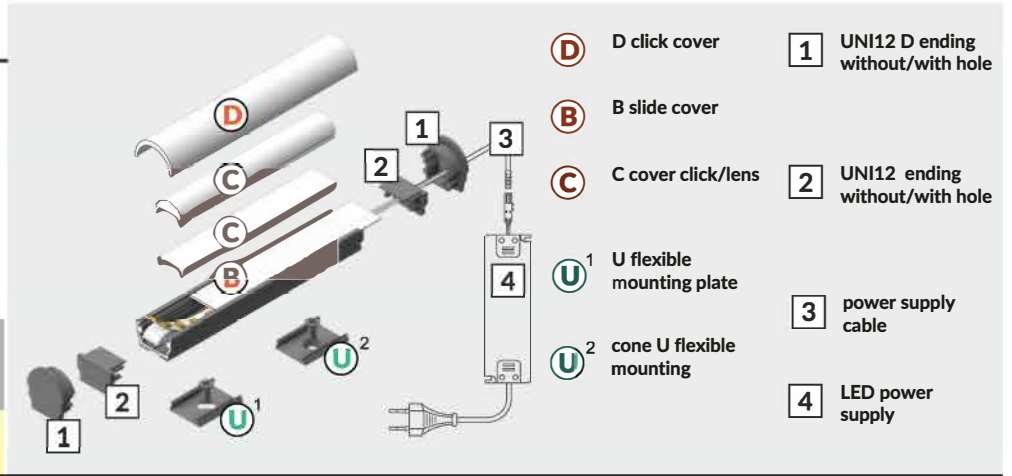
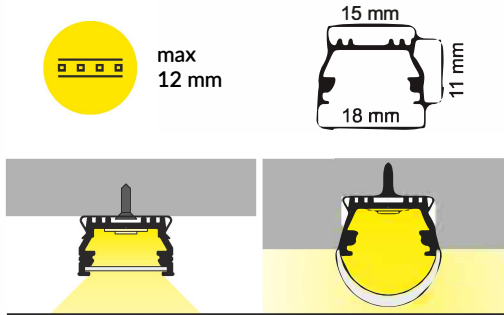
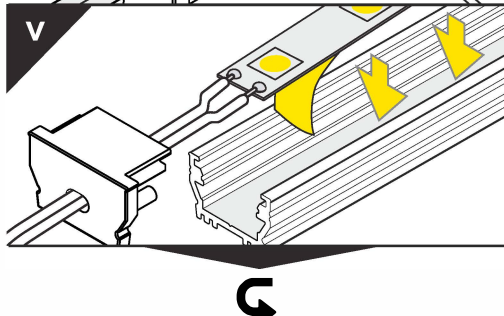
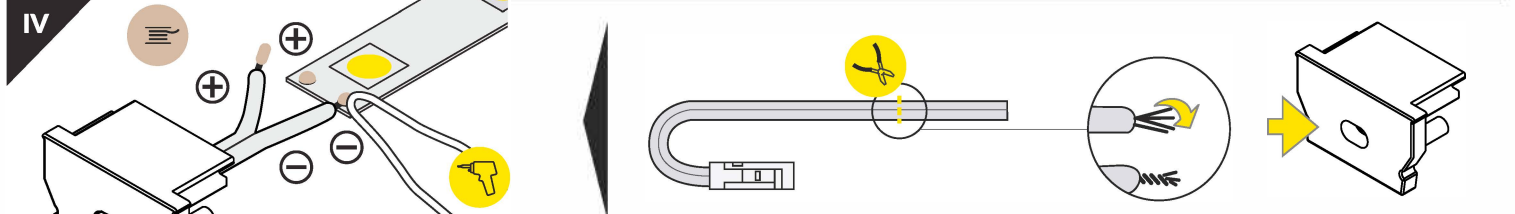
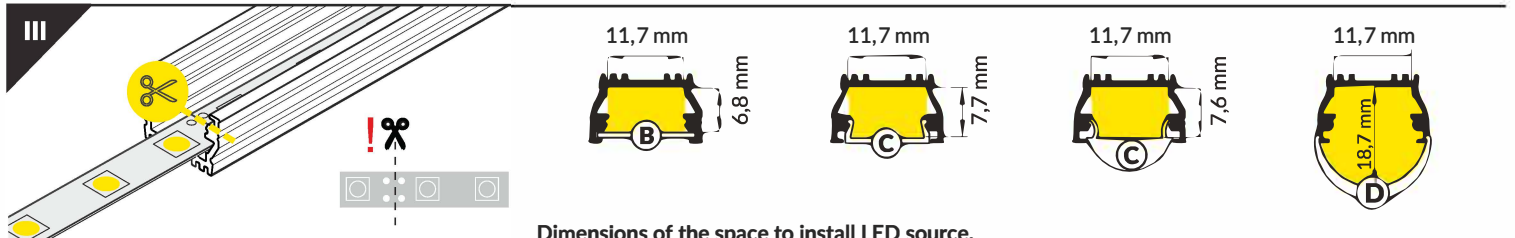
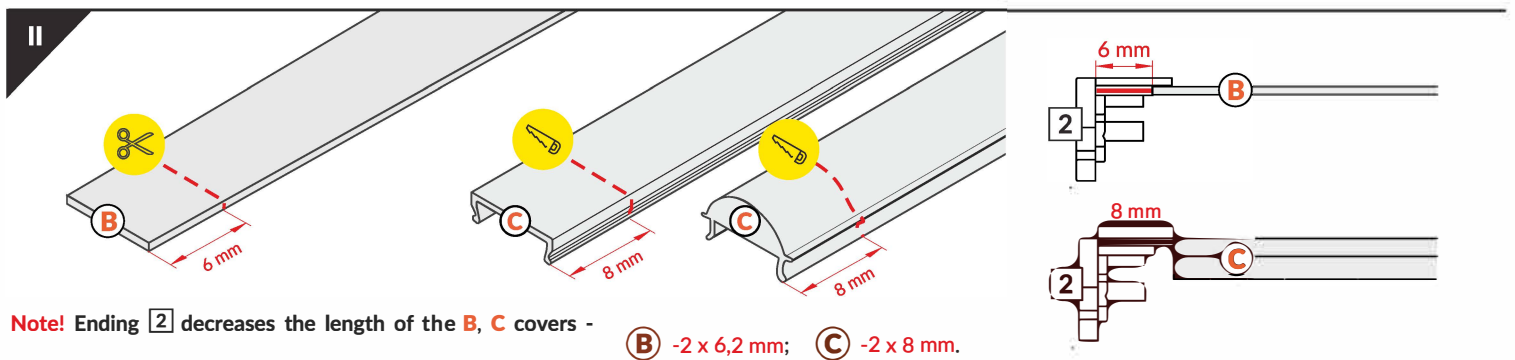
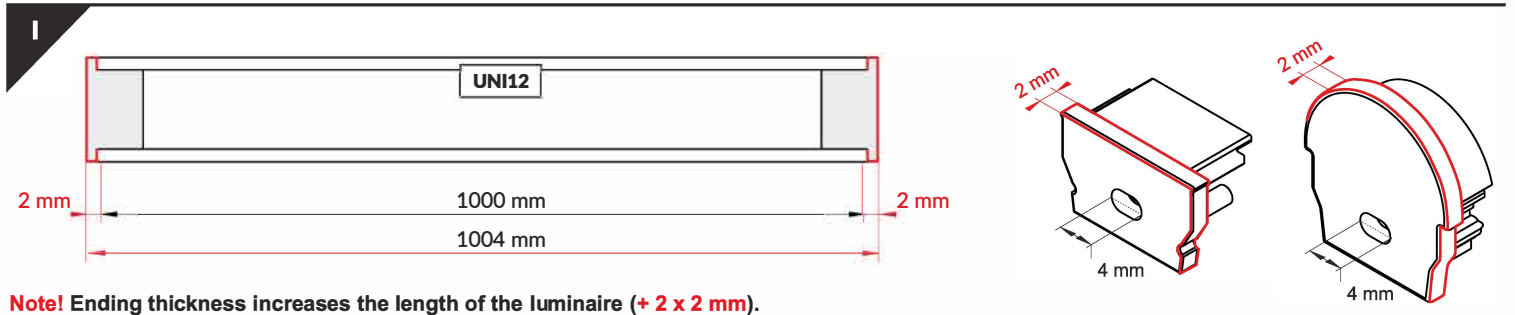
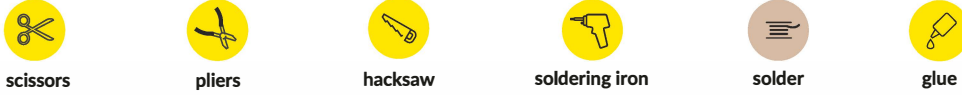


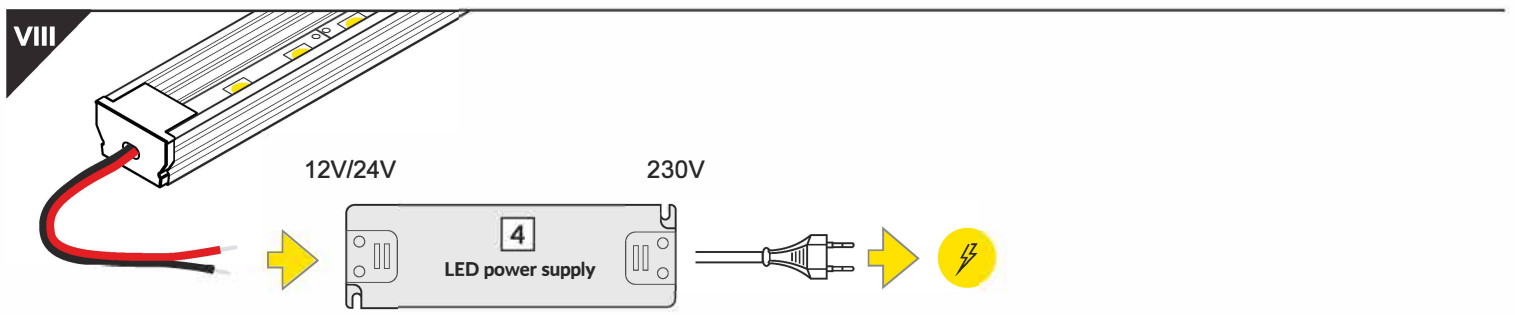
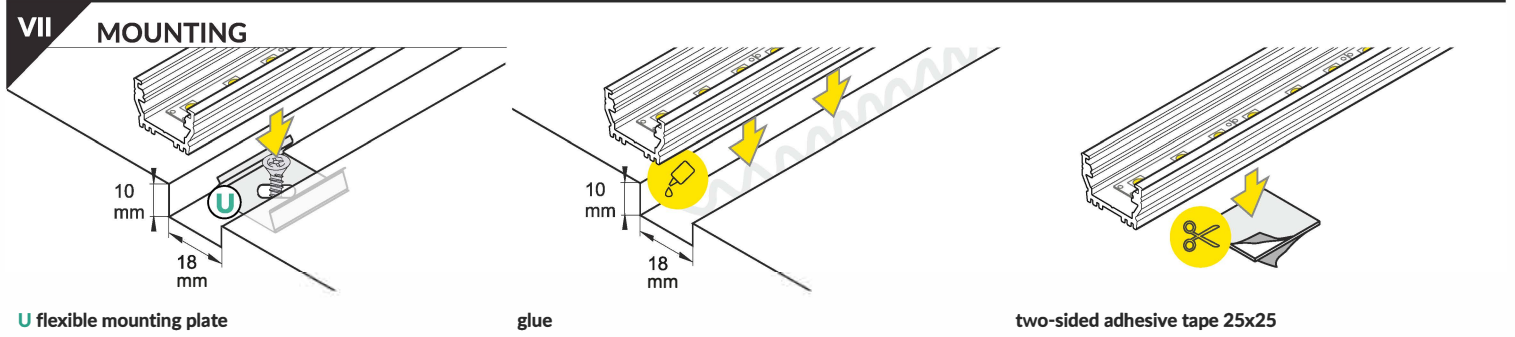
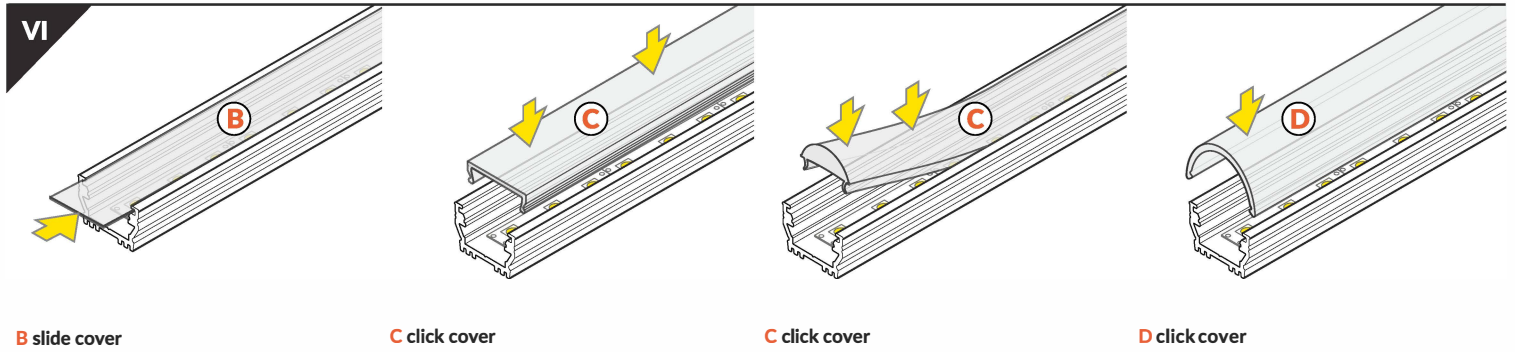
UNI12 BC/UX

SURFACE PROFILE



- D** D click cover
- B** B slide cover
- C** C cover click/lens
- U¹** U flexible mounting plate
- U²** cone U flexible mounting
- 1** UNI12 D ending without/with hole
- 2** UNI12 ending without/with hole
- 3** power supply cable
- 4** LED power supply





ACCESSORIES

- power switches
- controller + remote
- movement sensor
-